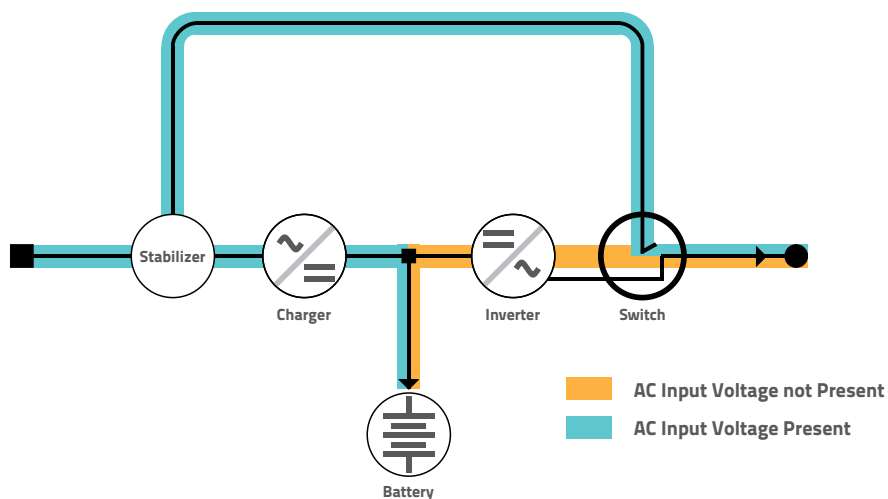


Uninterruptible Power Supply



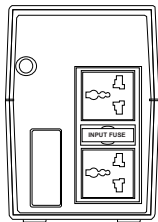
- Compact Design
- Compact Size and Lightweight
- Easy to Use
- EMI / RFI Filter
- Build-in AVR
- Build-in Sealed Lead Acid Battery
- Audible and Visual Indicators
- High Efficiency
- High Reliability
- Width Input Voltage
- Overload protection



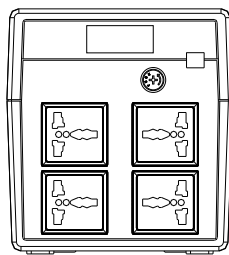
Protect your computer and sensitive equipments from any electrical disturbance.

ITEM		UNITS	SPECIFICATION		REMARKS
MODEL			CN650	CN1300	
CAPACITY		VA/W	650 / 325	1300 / 650	MAXIMUM
AC INPUT	VOLTAGE	V	140 ~ 300		
	CURRENT	A	1.6	2.9	MAX. LOAD & CHARGER
	FREQUENCY	Hz	50 ± 3		
	PROTECTION	A	3	5	FUSE
DC INPUT	INTERNAL BATTERY		1 x 12V, 7AH	2 x 12V, 7AH	SEALED LEAD ACID BATTERY
INVERTER OUTPUT	WAVE FORM		SYNTHESIZED SINEWAVE		PWM
	VOLTAGE	V	220 ± 5%		
	FREQUENCY	Hz	50 ± 3		
	EFFICIENCY	%	> 80		
CHG	TYPE		CONSTANT VOLTAGE		
	VOLTAGE	V	13.7	27.4	
	CURRENT	A	1.2		MAXIMUM
TRANSFER TIME		ms	≤ 4		
BACK UP TIME		min	10		DEPENDING ON LOAD
INDICATOR			LED & BUZZER		
OPERATION TEMPERATURE		°C	0 ~ 40		
DIMENSION		mm	287 x 101 x 142.5	338 x 149 x 162	D x W x H
WEIGHT		Kg	3.5	7.5	NETTO
			4.5	8.5	GROSS

SPECIFICATIONS ARE SUBJECT TO CHANGE WITHOUT PRIOR NOTICE.



REAR PANEL CN650



REAR PANEL CN1300

Contact Person



481-41J0010-210