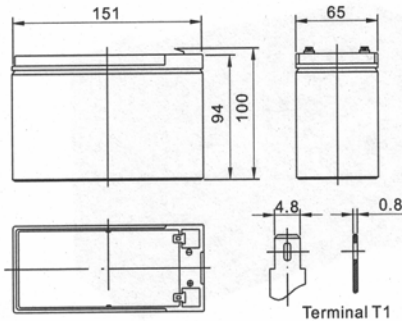




Standard Series IP1272

◆ Dimensions

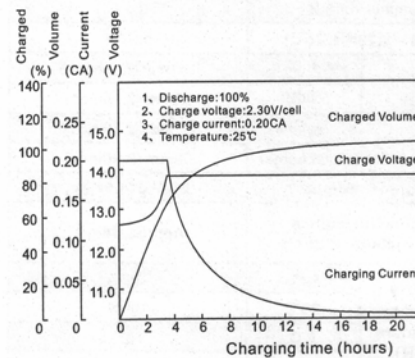


◆ Specifications

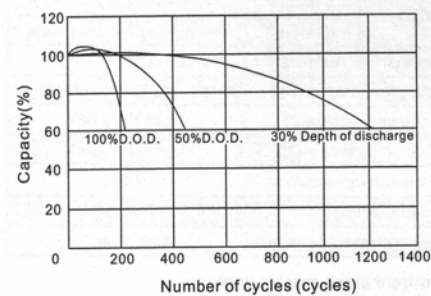
Nominal voltage		12 V
Capacity(20HR, 25°C)		7 Ah
Dimension	Length	151mm (5.94inch)
	Width	65mm (2.56inch)
	Height	94mm (3.70inch)
	Total height	100mm (3.94inch)
Approx. weight		2.66kg (5.87lbs)
Internal resistance (Fully charged, 25°C)		Approx. 22mΩ
Capacity affected by temperature (20HR)	40°C	102%
	25°C	100%
	0°C	85%
	-15°C	65%
Self-discharge (25°C)	3 month	Remaining capacity: 91%
	6 month	Remaining capacity: 82%
	12 month	Remaining capacity: 65%
Nominal operating temperature		25°C ±3°C (77°F ±5°F)
Operating temperature range		-15°C ~50°C (5°F ~122°F)
Float charging voltage(25°C)		13.38 to 13.80V
Cyclic charging voltage(25°C)		14.40 to 15.00V
Maximum charging current		2.8A
Terminal material		Copper
Maximum discharge current		105A(5 sec.)

- ◆ Absorbent glass mat technology;
- ◆ Recognized by UL & CE;
- ◆ Flame retardant ABS container (UL94V-0/ 94V-2).

◆ Charging Characteristics(25°C)



◆ Cycle Life(25°C)



◆ Note: Floating life designed for 5 years at 20°C.

Constant Current Discharge Characteristics(A,25°C)

F.V/TIME	5min	10min	15min	30min	60min	3h	5h	10h	20h
9.60V	27.0	18.0	14.0	8.40	4.70	1.73	1.15	0.71	0.37
10.2V	25.7	17.1	13.4	8.06	4.55	1.70	1.13	0.70	0.36
10.8V	24.2	16.1	12.7	7.66	4.35	1.65	1.10	0.68	0.35

Constant Power Discharge Characteristics(Watt,25°C)

F.V/TIME	5min	10min	15min	30min	60min	3h	5h	10h	20h
9.60V	301	203	160	94.2	54.4	20.6	13.8	8.52	4.43
10.2V	287	191	153	90.4	52.7	20.2	13.6	8.40	4.33
10.8V	270	180	145	86.0	50.4	19.6	13.2	8.17	4.21